



**FAMED LODZ S.A.**

Excellence through experience,  
for over 75 years.

# SOLIS 160

practical, modern, reliable

**SOLIS 160** is the perfect compromise between quality and price of the operating lamps, which will satisfy even the most demanding user. The round shape of the dome allows accurate surface disinfection.

The system of three independent domes provides excellent illumination of the treatment and its shadowlessness. Handy sterile handle allows accurate positioning of the device and adjusting the size of the light field of the operating field.

Ergonomic design and reduced weight of the operating lamp **SOLIS 160** ensures comfortable handling while enabling any application both in emergency departments as well as specialized operating rooms.

Lighting modules with LEDs are covered by extremely robust plate of polycarbonate, to protect against accidental damage, and its flat shape facilitates the work of the operator. Lamps **SOLIS 160** have a wide range of adjustment due to the possibility of rotation relative to the four axes.

Illuminance of 160,000 lux at a distance of 1 meter. In a series of lamps **SOLIS 160** was used innovative system of LEDs which form a light module, in three independently powered sections.

In case of failure of one of the sections, the other two provide a very good level of lighting.

The dome does not contain any external screws or other fasteners.

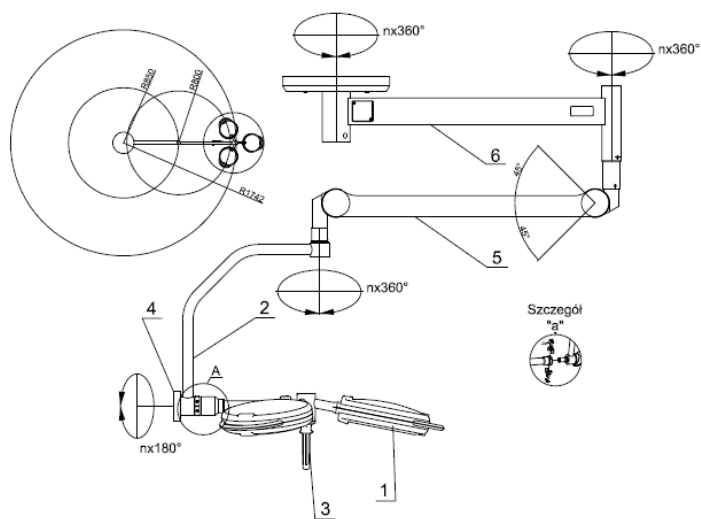


Control Panel - easy to use, with a push button on / off and adjust the light intensity.

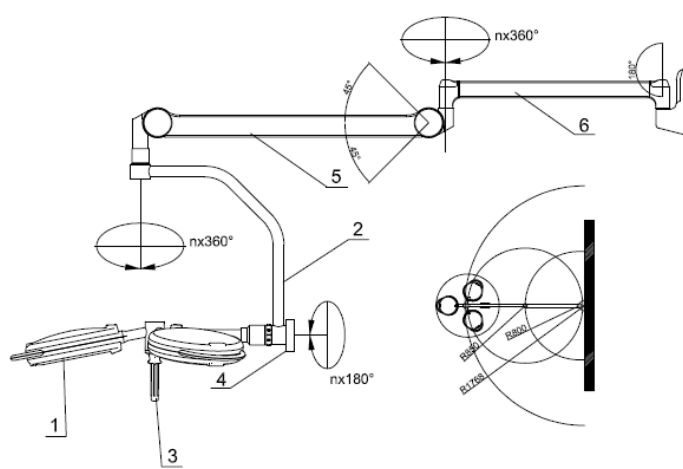
The sterile handle for focusing light field in the operating field, having ergonomic design, placed in the center provides easy access and positioning the dome.



# Technical data:

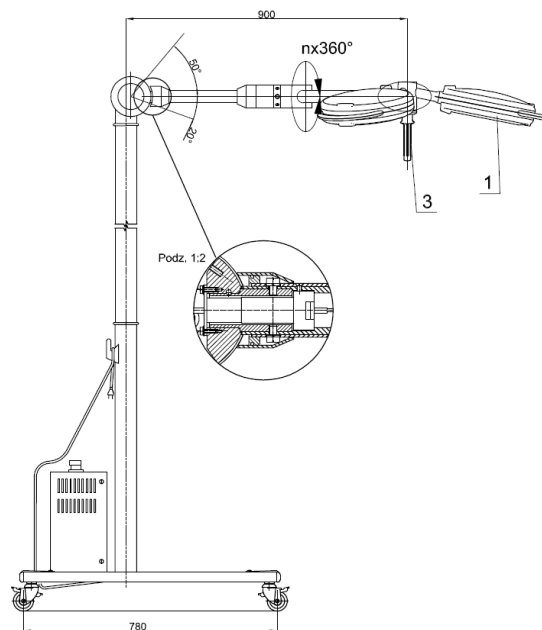


Operating light SOLIS 160C



Operating light SOLIS 160W

Lighthouse	SOLIS 160
Supply voltage of the lighthouse	24V DC
Light intensity at a distance of 1 m (E)	160 000 lx
Adjustable light intensity	25 ÷ 100%
Colour rendering index CRI	96
Colour temperature	4400 K
Operating field diameter d	220 mm
Light spot diameter d	110 mm
Adjustable diameter of the operating field	yes
Temperature increase near surgeon's head	< 1°C
Depth of illumination L1+L2	50 cm
Power consumption for the lighthouse	50 W
Insulation class	I
Protection degree provided by lighthouse enclosure	IP 43
Life time of the light source	> 50.000 h



Operating light SOLIS 160F



The product complies with the European Directive **MDD 93/42/EEC** and standards: **PN-EN 60601-1:2011** **PN-EN 60601-1-2:2007**



FABRYKA APARATURY ELEKTROMEDYCZNEJ  
**FAMED Łódź S.A.**  
 ul. Szparagowa 2, 91-211 Łódź  
**Address for correspondence:**  
 ul. Ciasna 21 a  
 93-531 Łódź, POLAND



www.famed.pl



info@famed.pl



Jarosław **Majchrzak**  
**+48 784 012 501**  
 j.majchrzak@famed.pl

Filip **Kozłowski**  
**+48 601 276 583**  
 f.kozlowski@famed.pl

Leszek **Kaniewski**  
**+48 662 066 064**  
 l.kaniewski@famed.pl